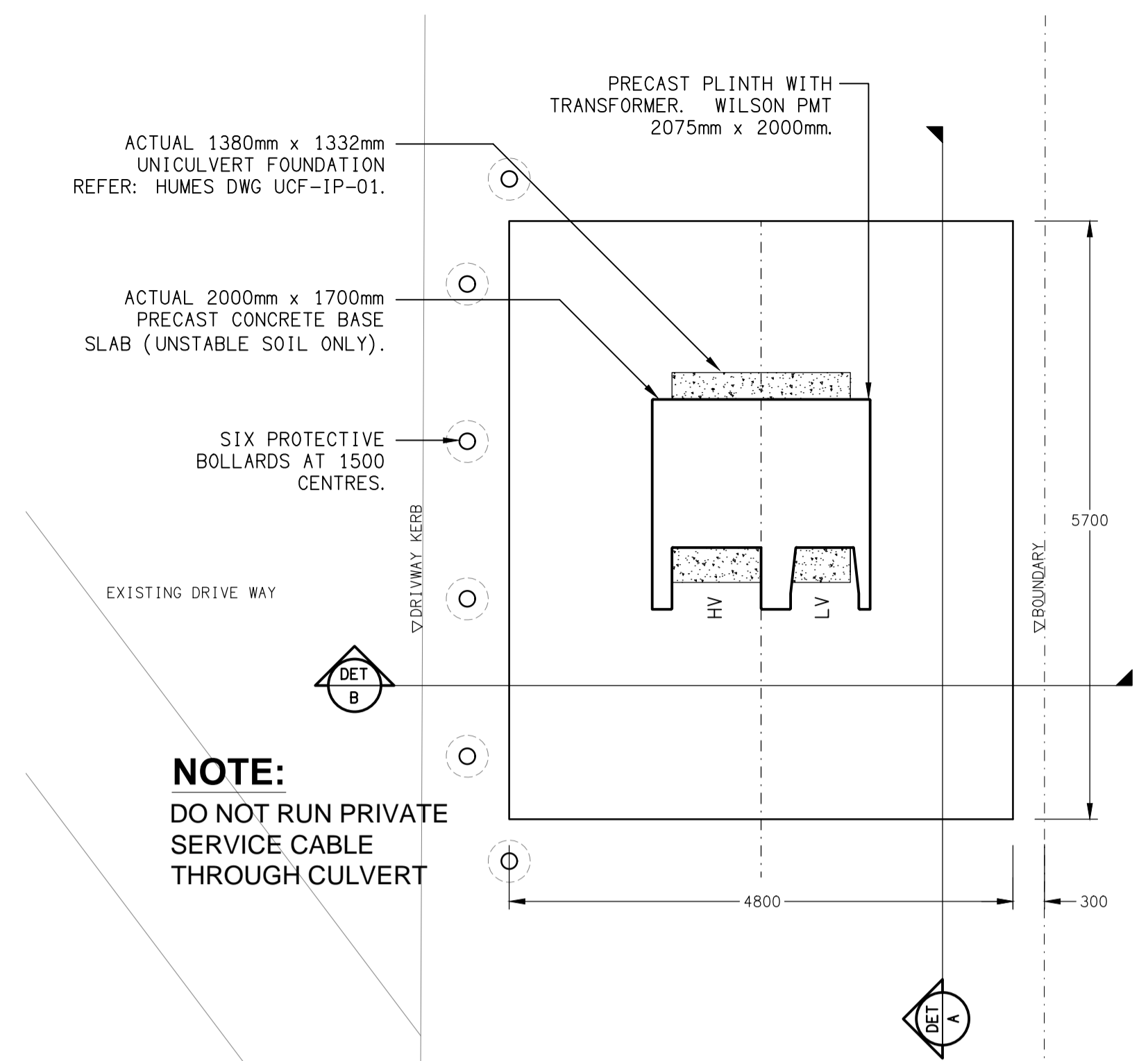
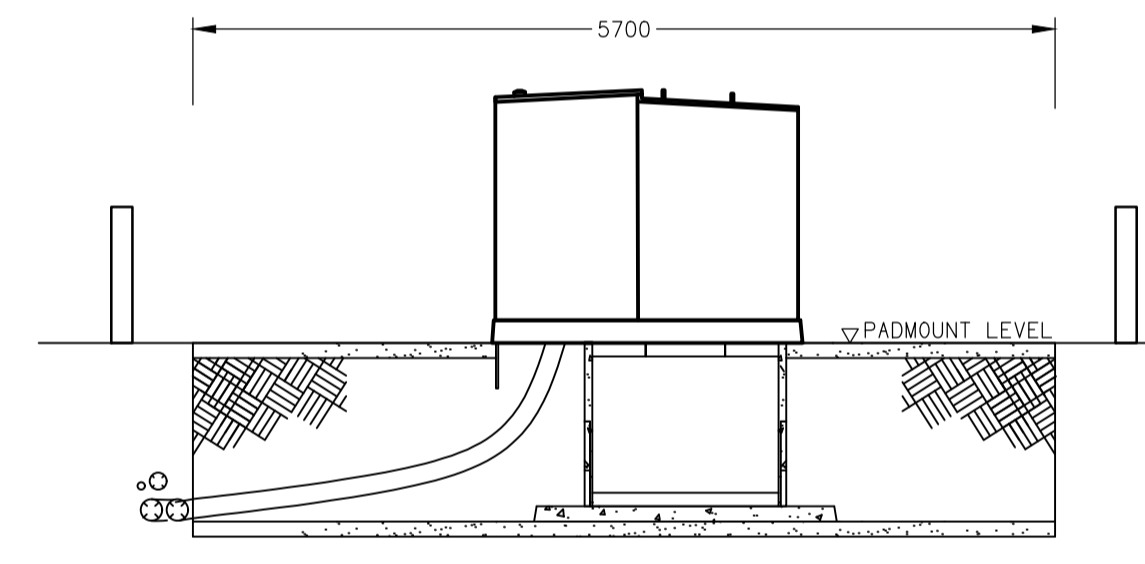


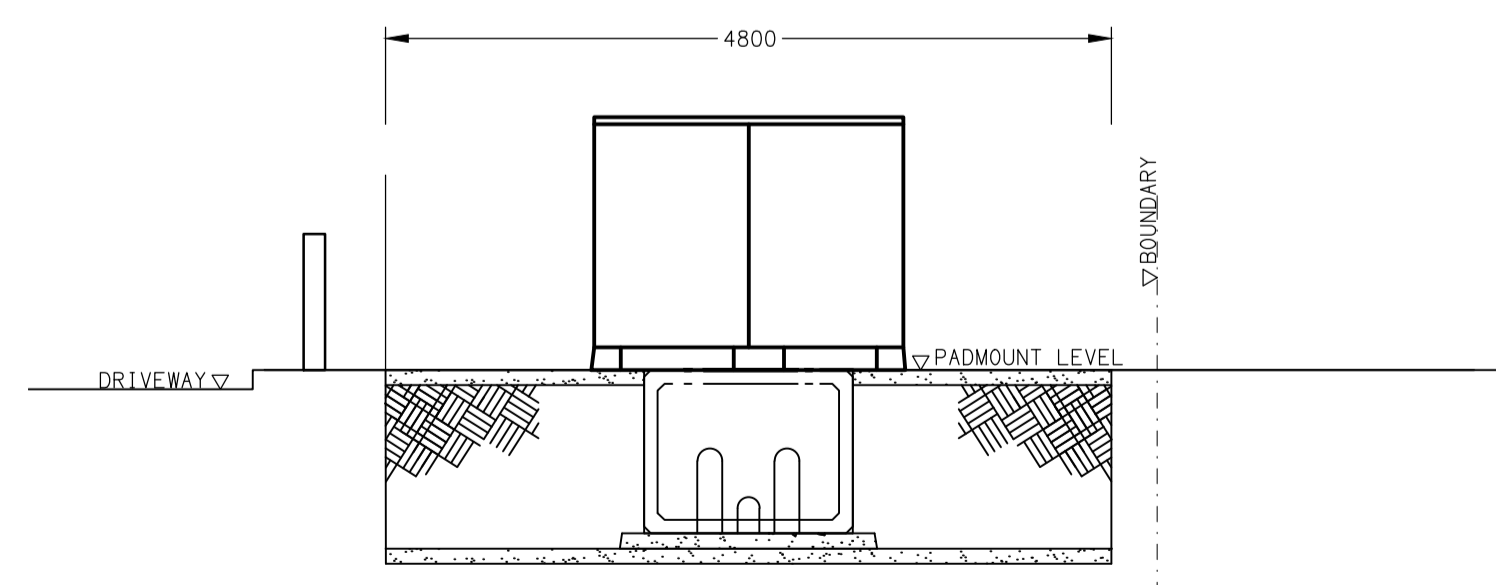
SITE PLAN
PADMOUNT SUBSTATION LOCATION
SCALE 1: 500



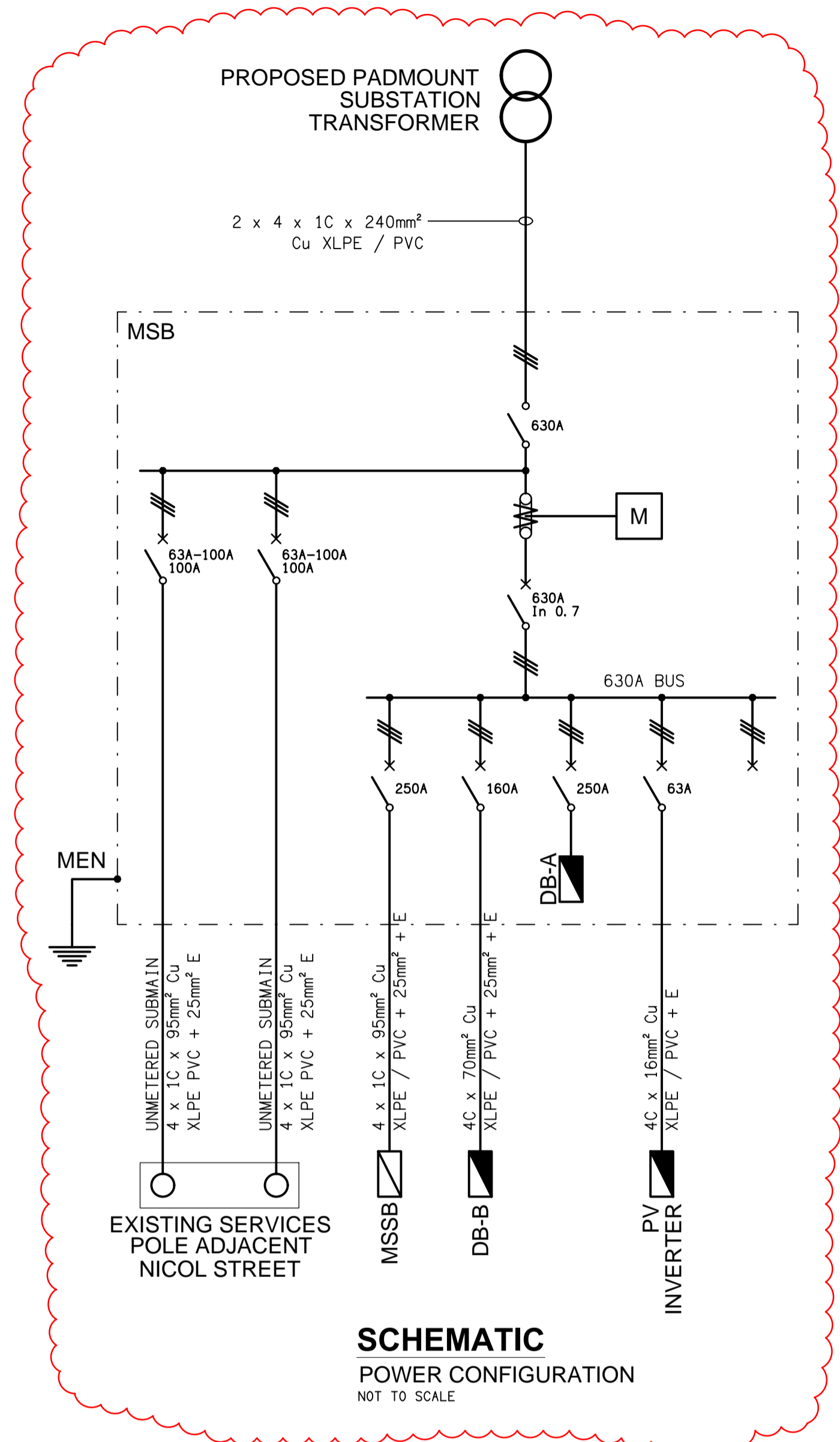
DETAIL PLAN
PADMOUNT SUBSTATION
SCALE 1: 50



DETAIL A
PADMOUNT SECTION VIEW
SCALE 1: 50



DETAIL B
PADMOUNT SECTION VIEW
SCALE 1: 50



SCHEMATIC
POWER CONFIGURATION
NOT TO SCALE

PROPOSED 5700 x 4800 PADMOUNT SUBSTATION TRANSFORMER TO BE COVERED BY A 5700 x 4800 EASEMENT IN FAVOUR OF ENERGEX.

NOTE: RP845848 FOR ALL ENERGEX RELATED CONSTRUCTION QUERIES THE ELECTRICAL DESIGN GROUP ON (07) 3278 4375 IS THE FIRST POINT OF CALL.

NOTE: THE PADMOUNT SUBSTATION SITE DOES NOT HAVE A DEFINED FLOOD LEVEL AS THE SITE IS NOT SUBJECT TO FLOODING.

ENERGEX ACCEPTANCE

NAME:

OFFICE:

SIGNED:

DATE: / /

ENERGEX takes no responsibility for the accuracy of the information provided on this drawing



ELECTRICAL DESIGN GROUP BRISBANE PTY LTD
ACN 092 710 793
TRADING AS:
ELECTRICAL DESIGN GROUP

THE COPYRIGHT OF THIS DRAWING REMAINS THE PROPERTY OF THE ELECTRICAL DESIGN GROUP.
USE FIGURED DIMENSIONS IN PREFERENCE TO SCALE.
ALL DIMENSIONS TO BE VERIFIED ONSITE.

CULVERT INSPECTION REQUIRED BEFORE TRANSFORMER IS DELIVERED - 5 BUSINESS DAYS PRIOR NOTICE NEEDED.
CONTACT RUSSELL COLLINS EMAIL: russellcollins@energex.com.au
TRANSFORMER WILL NOT BE ENERGISED UNTIL ALL REQUIREMENTS ARE MET.

ELECTRICAL DESIGN GROUP
ELECTRICAL BUILDING SERVICES CONSULTANTS
BRISBANE GOLD COAST
P.O. Box 15, Sherwood Q.4075
Phone: (07) 3278 4375
Email: brisbane@edg.net.au
Web: www.edg.net.au

PROJECT:
STAFFORD COMMUNITY CLUB
352 STAFFORD ROAD, STAFFORD

D	TENDER	13/06/2023
REV.	DESCRIPTION:	DATE:
DRAWING: ELECTRICAL SERVICES ENERGEX PADMOUNT SUBSTATION PLANS		
SCALE: 1:500 & 1:50	PROJECT NO: C2791a	DRAWING NO: EN01
AT A1	REVISION: D	